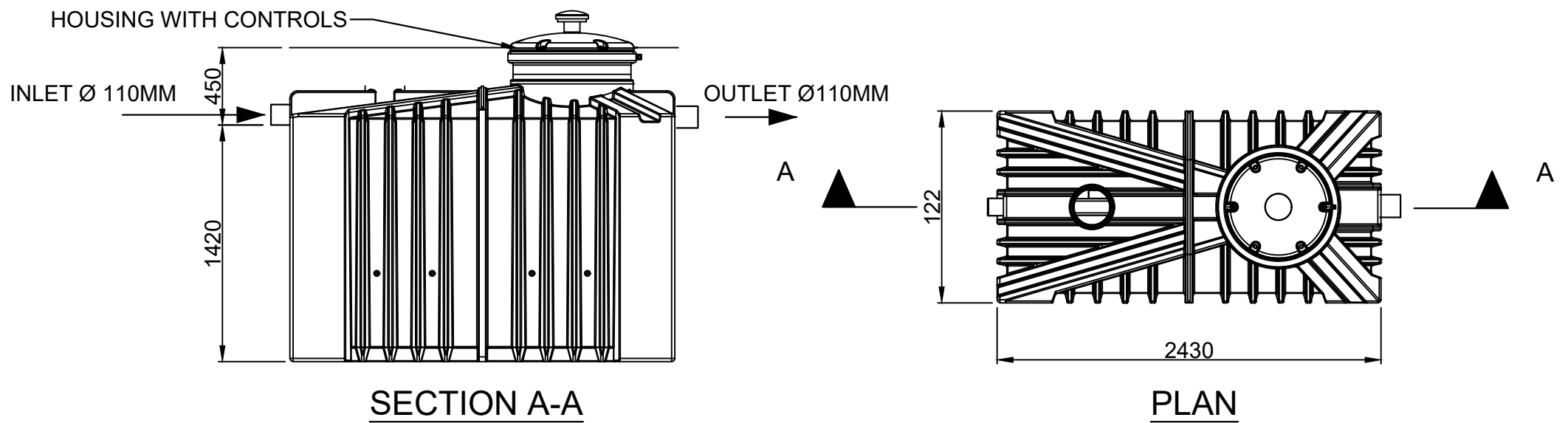
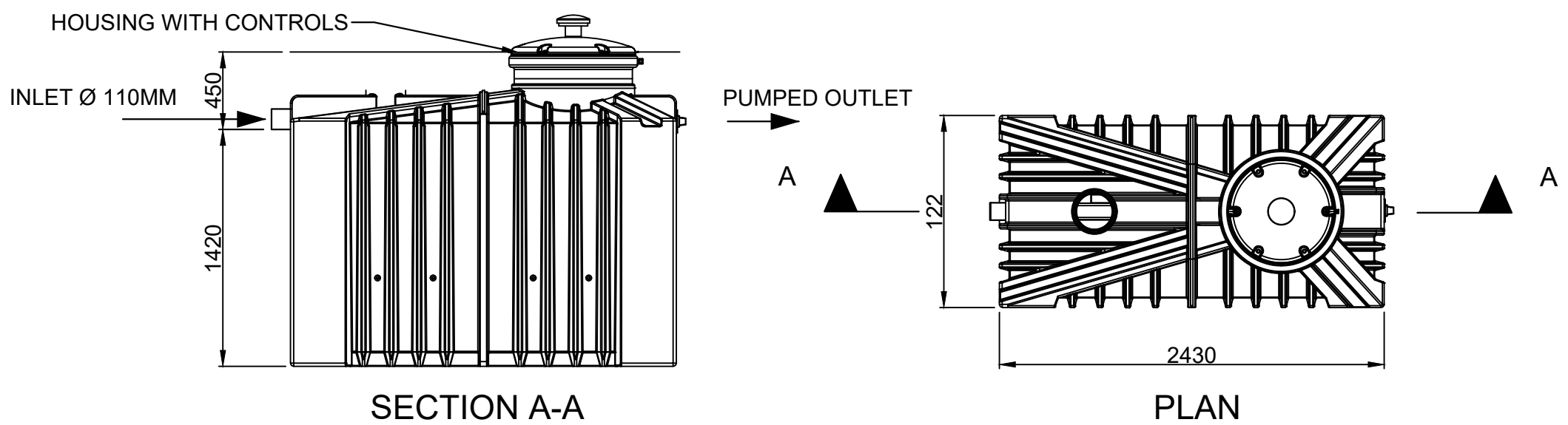


3-5 Bed House Gravity Version (6PE)



3-5 Bed House Pumped Version (6PE)



NOTES:

1 - Population design - 3-5 bedrooms [1no. double and 4no. singles max.]

2 - Effluent standards - <20mg/l BOD, <30mg/l SS, <20mg/l Ammonia

3 - Tank manufactured from reinforced HDPE.

4 - Tank tested to EN12566 for durability, structural integrity and water tightness.

5 - Equipment tested to EN12566-3.

6 - Complete system compliant with SR66, EPA standards and EN12566-3.

7 - Total useable system volume - 3500L.

8 - Tank weight c.180kg.

9 - Electrical supply - single phase, 220v.

10 - Inlet/outlet connections 110mm uPVC (32mm for pumped outlet)

11 - A firm, rock free level base is required. Installation as per manual.

12 - Visual and audible alarms available.

13 - Observe all safety regulations in regard to excavation and lifting requirements.

14 - Specify any non standard requirements/optional extras prior to ordering.

15 - Venting by client as per building regulations.

16 - All civil works by client.

17 - Plumbing connections and electrical connection by client.

18 - Equipment must be operated in accordance with operation manual.

19 - Do not scale from this drawing. Only for illustration purposes.

20 - Drawings and dimensions subject to change without notification. All dimensions +/- 25mm.

21 - This drawing is copyright. All rights reserved.

22 - Blower rating - 55 watts